

Premium Contactless No touch Infrared Exit Button IR door Release 86x55



K3-1

Surface Installation

Material: Plastic

Contact rating: 3A, AC 120V / DC 30V

Input voltage: DC 12V-24V

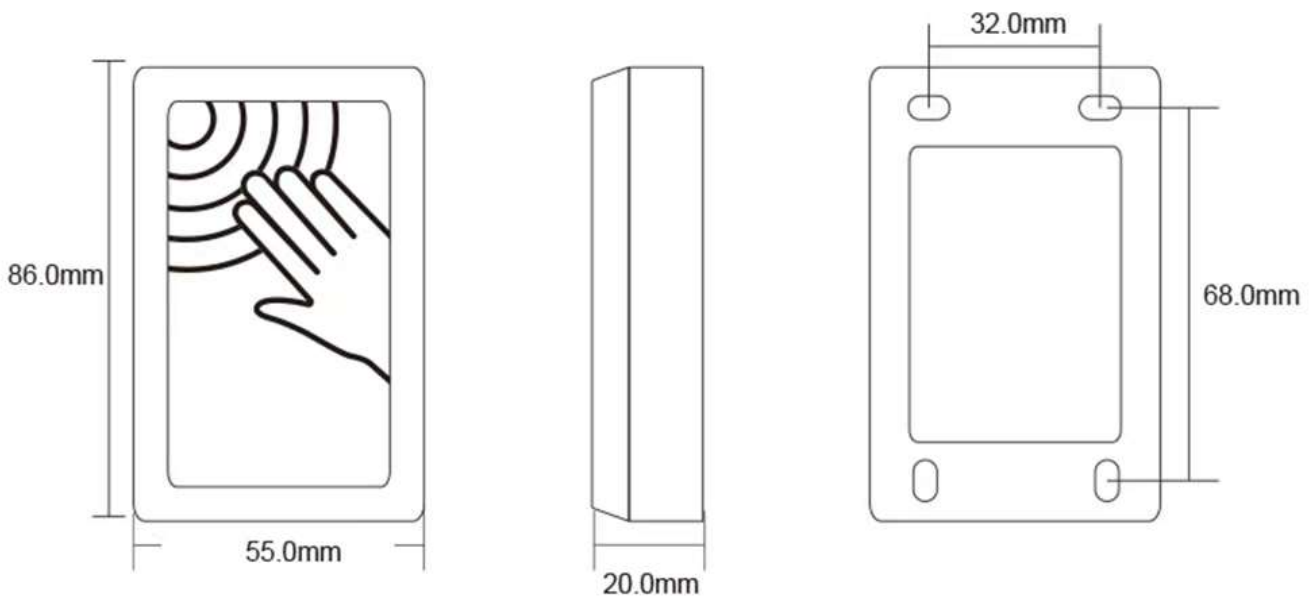
Output Contact:NO/NC/COM

Working temperature(approx.): 0 to 50 °C

Response range: Within 10cm LED indication:

Standby: Red LED on, visitors approaching: Green LED on

Size:86x55x20 mm



Premium Contactless No touch Infrared Exit Button IR door Release 86x86



K4-1

Surface Installation

Material: Plastic

Contact rating: 3A, AC 120V / DC 30V

Input voltage: DC 12V-24V

Output Contact:NO/NC/COM

Working temperature(approx.): 0 to 50 °C

Response range: Within 10cm LED indication:

Standby: Red LED on, visitors approaching: Green LED on

Size:86x86x20 mm

