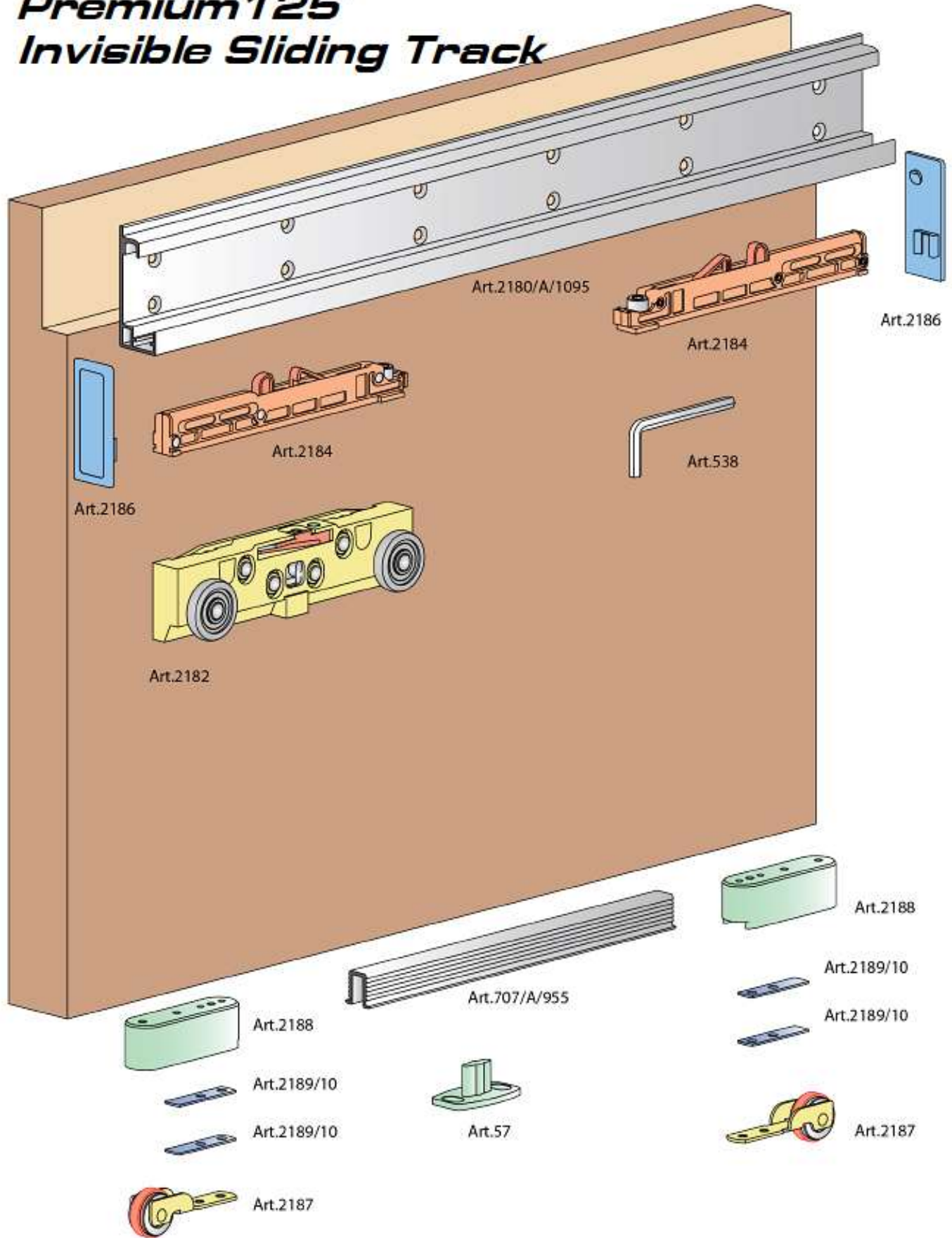


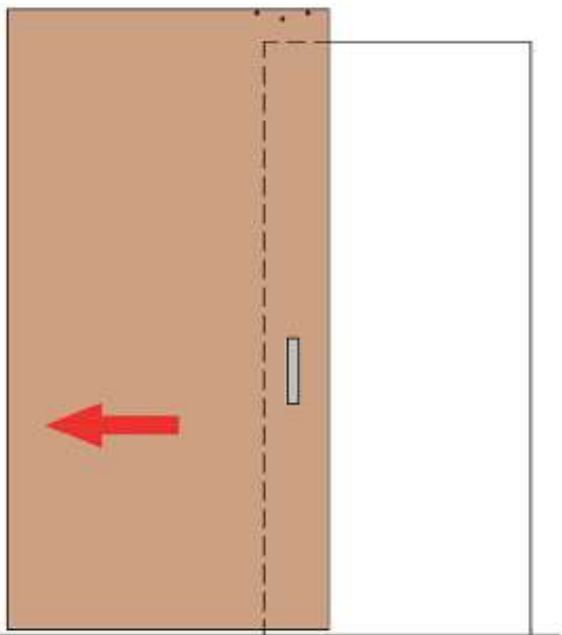
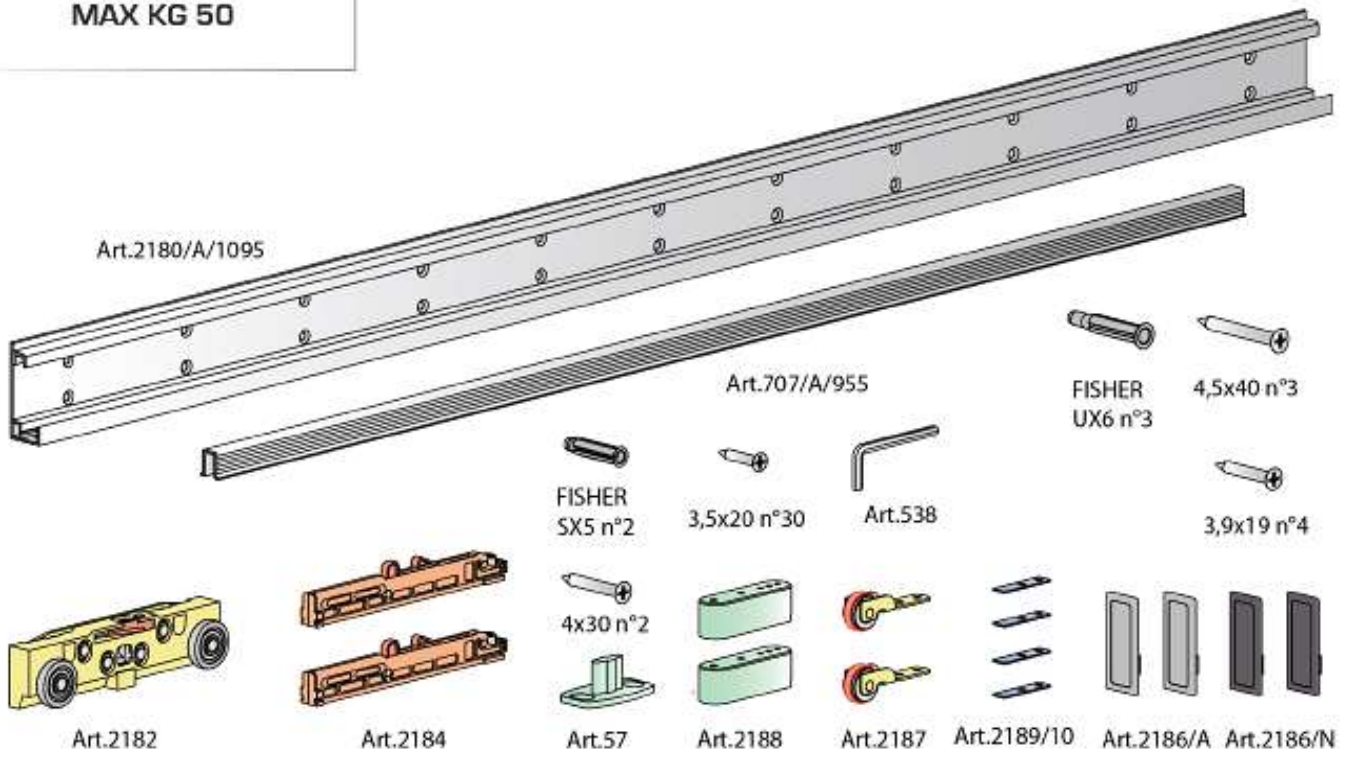
Premium 125 Invisible Sliding Door Track



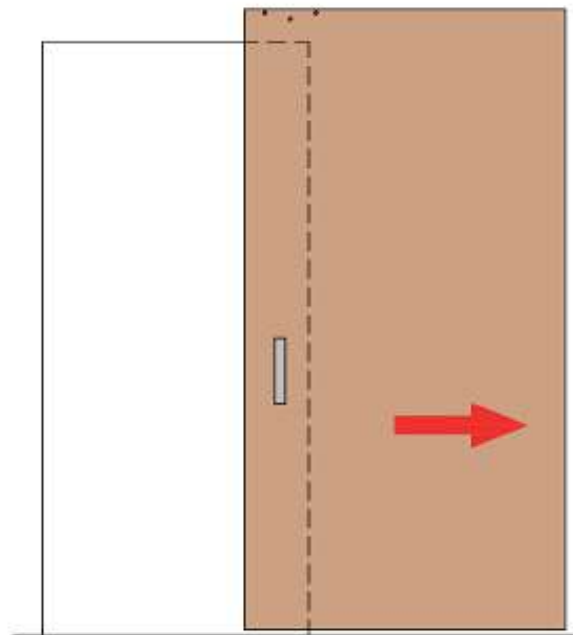
Premium 125 Invisible Sliding Track



MAX KG 50

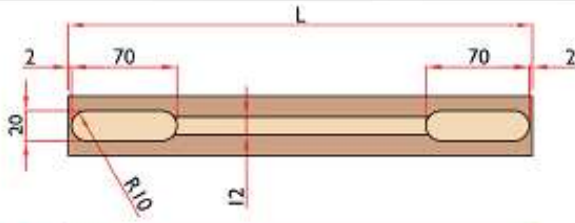


LEFT OPENING

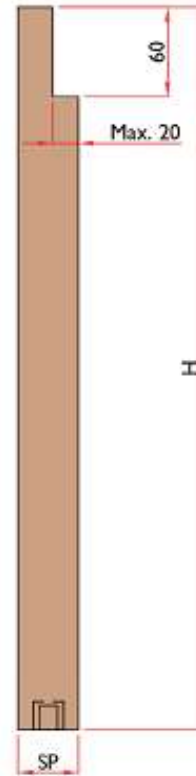
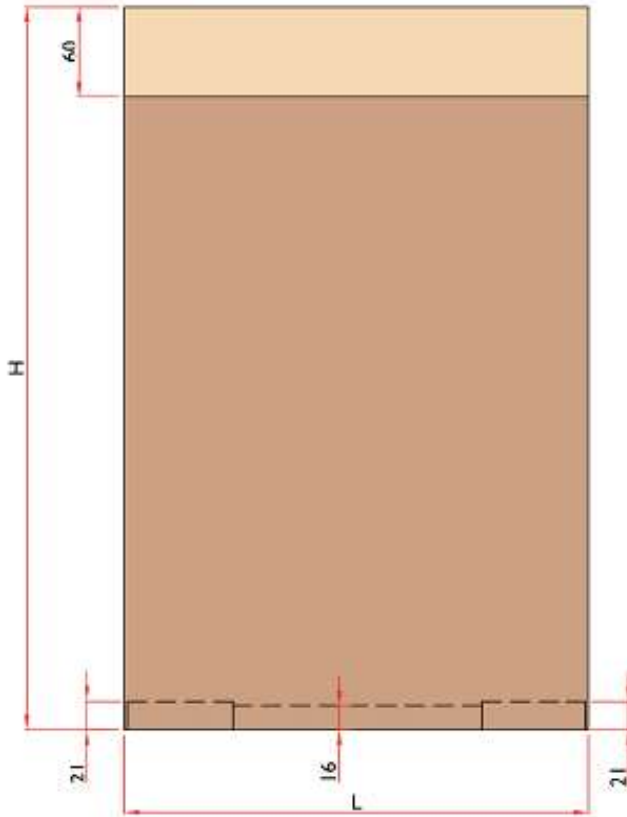


RIGHT OPENING

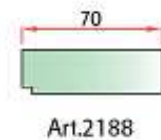
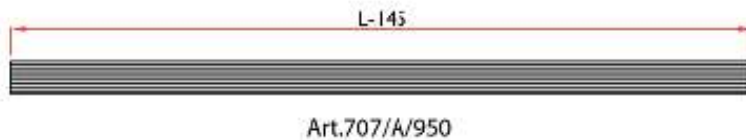
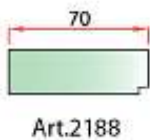
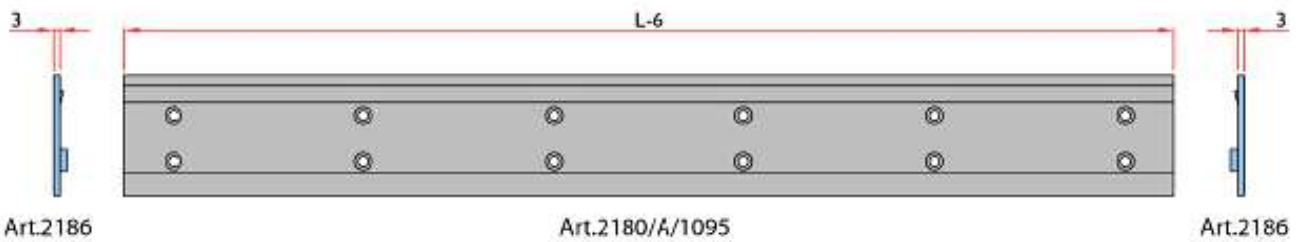
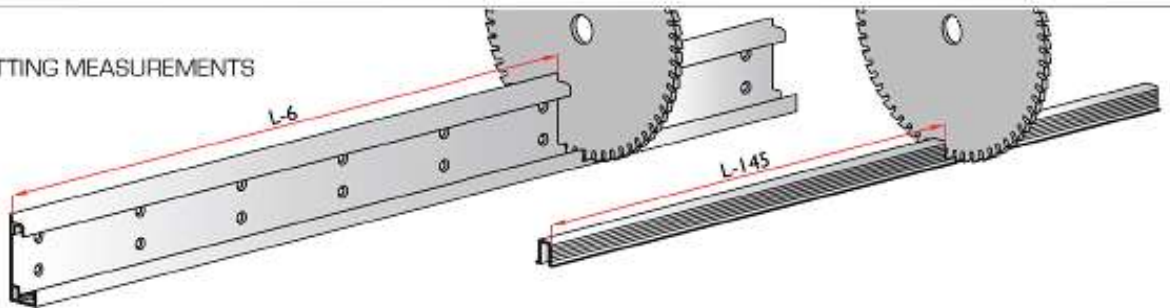
ART. 2186 / 1095

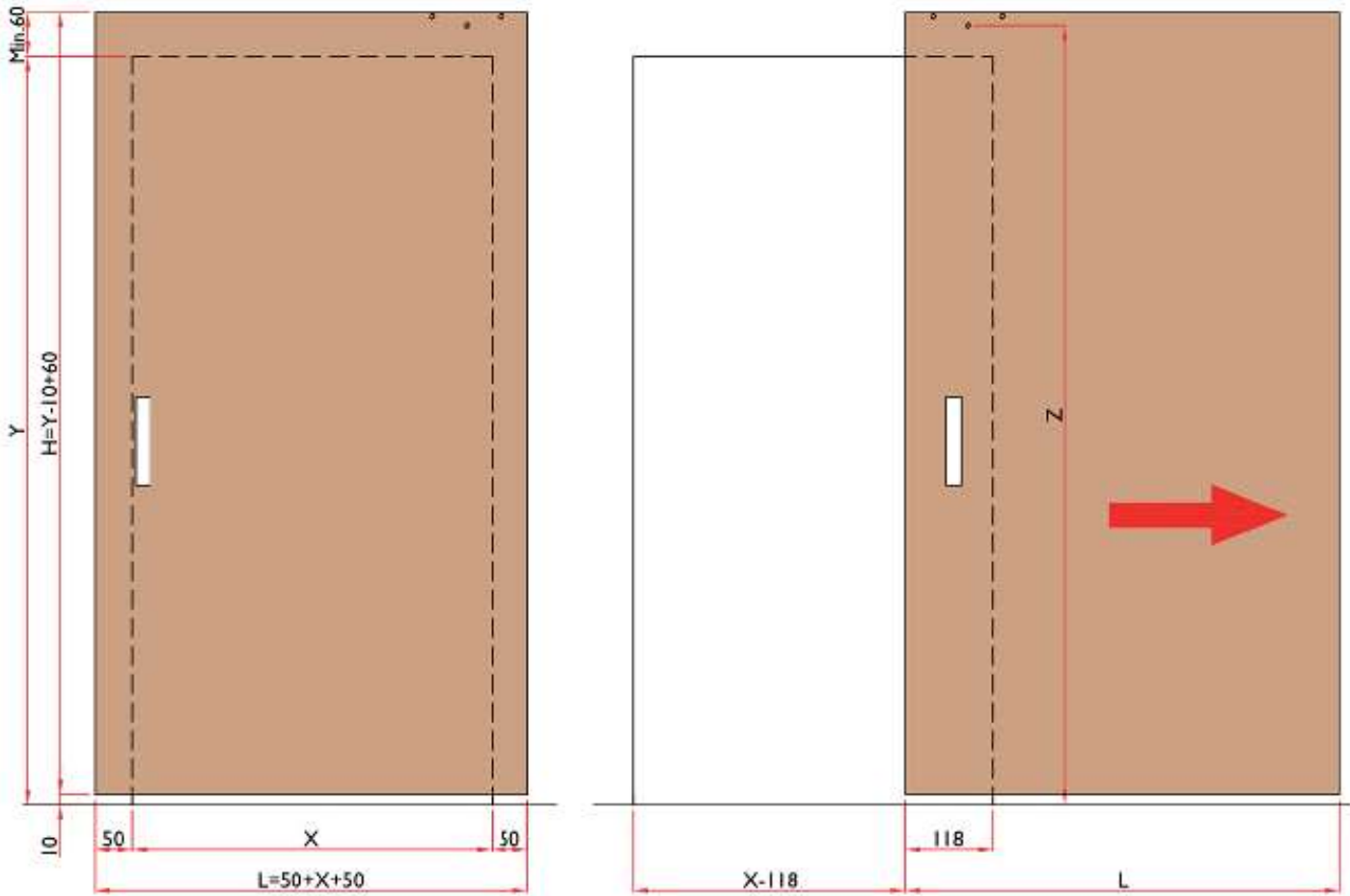


DOOR WIDTH
L MIN 800MM
L MAX 1100MM



PROFILES CUTTING MEASUREMENTS





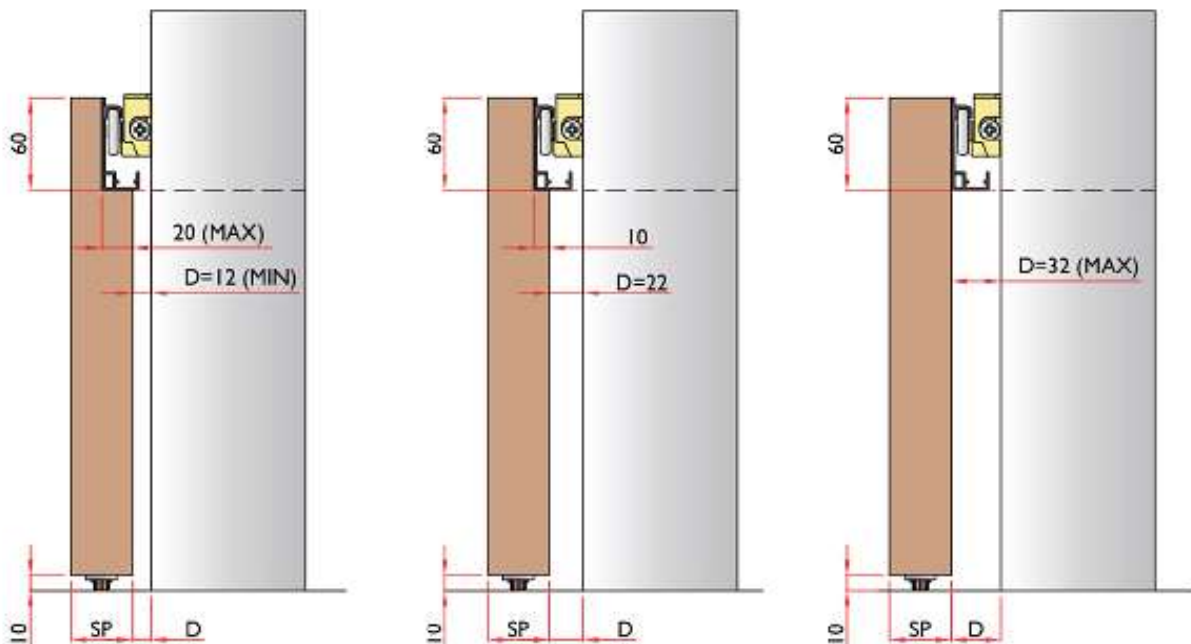
EXAMPLE

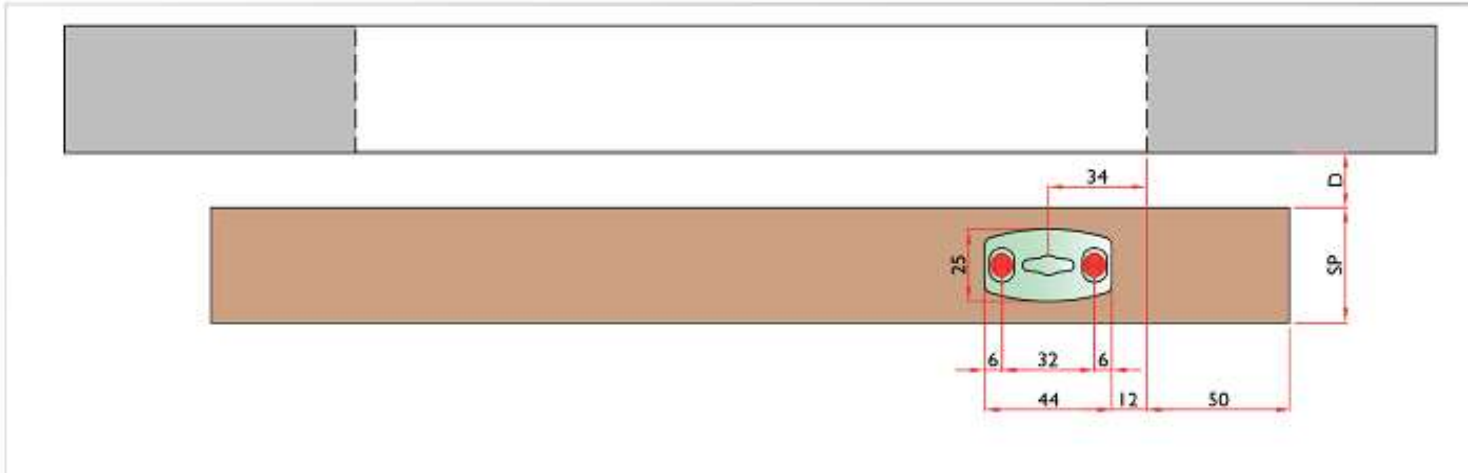
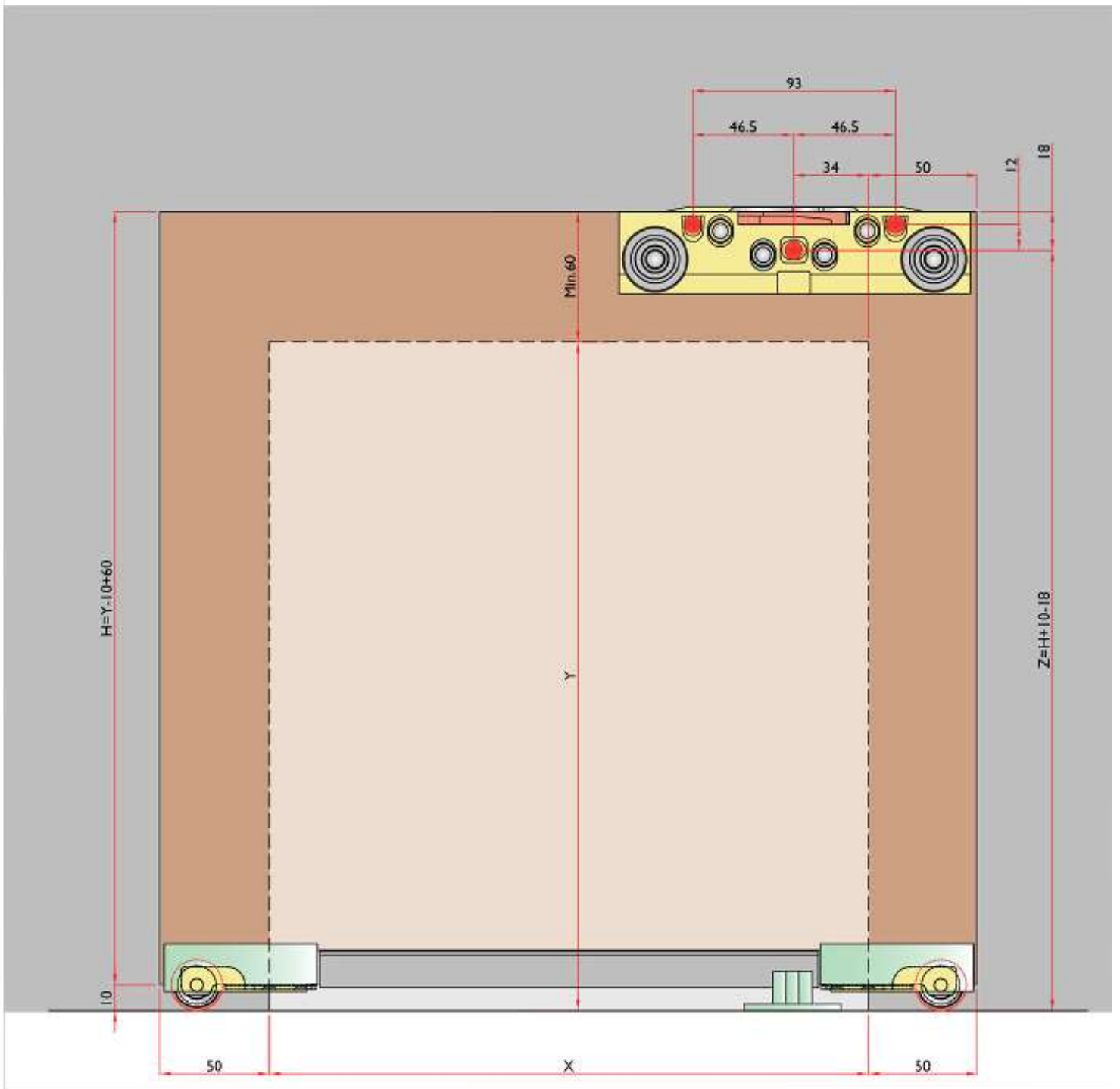
SIZES OF COMPARTMENT

X=900
Y=2150

SIZES OF DOOR

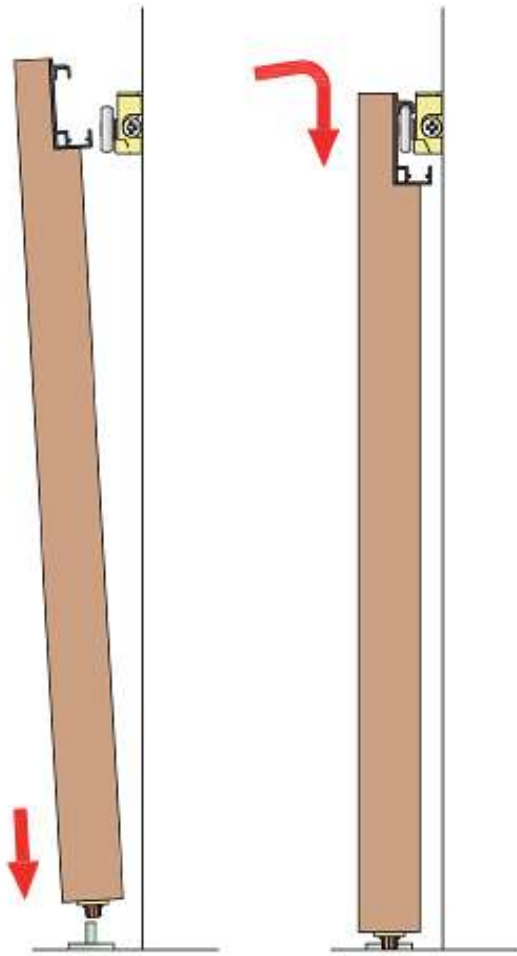
L = 50 + X + 50 = 50 + 900 + 50 = 1000
H = Y + 50 = 2150 + 50 = 2200



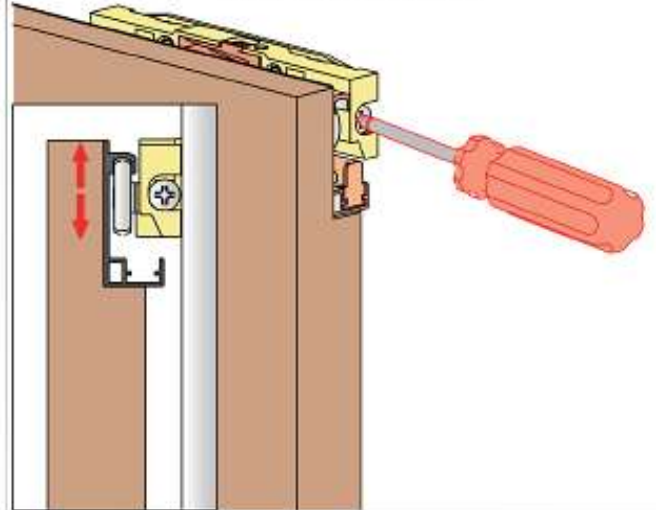




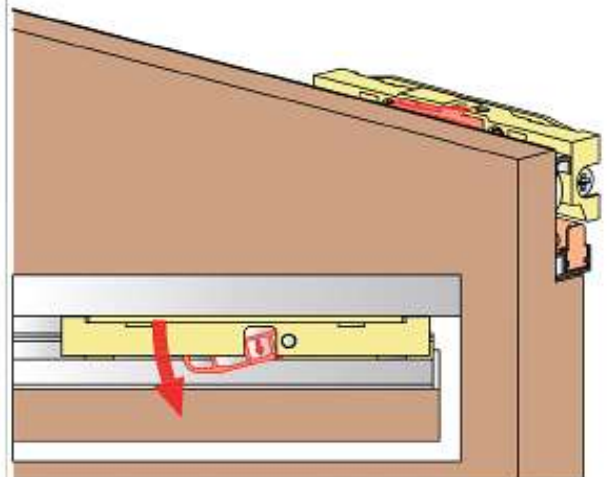
DOOR POSITIONING



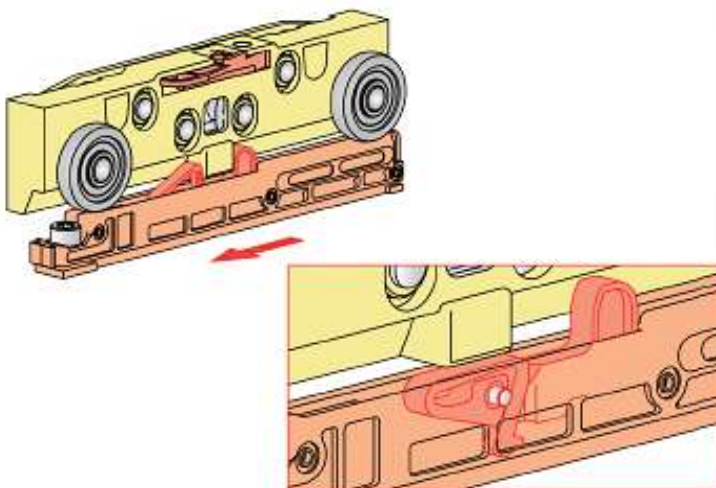
SLIDING ADJUSTMENT



ANTI-UNHOOKING ACTIVATION



SELF ACTIVATING SOFT CLOSING SYSTEM



LATERAL CAPS

